



CabinetTrac

CLOSET CABINETS SYSTEM

SPEC BOOK



PRODUCT FINISHES

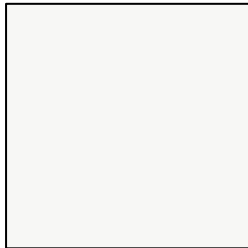
PRODUCT FINISHES

Choose from 4 popular finishes. Each finish costs the same, so you don't have to pay extra for your favorite!



ESPRESSO

Our darkest finish gives your closet a contemporary look



WHITE

A flat white finish with Shaker doors and drawers create a timeless look



SALT OAK

Gray tones and reclaimed wood look are on trend



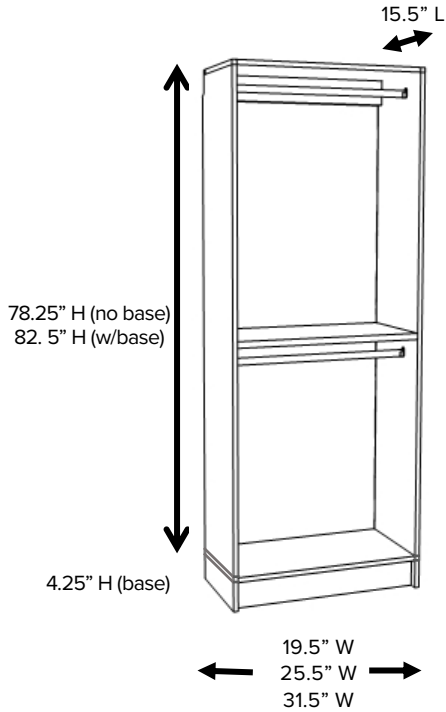
CHERRY**

Rich grain and medium tone stain is a classic look updated for today

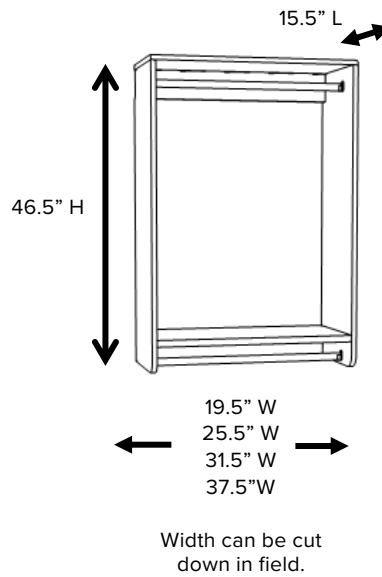
**Please note that Cherry is a discontinued finish with limited SKU's available.

ITEM DIMENSIONS

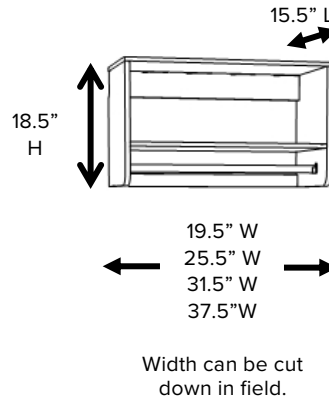
FULL CABINETS



HALF HANG CABINETS



QUARTER HANG CABINETS



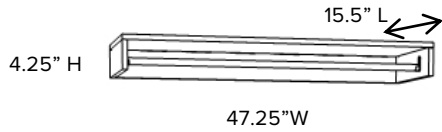
- Bases come standard on cabinets with solid backs.
- Bases optional on wall hung no back full cabinets.

Cabinet Item descriptions are interior widths. Add 1.5" for exterior width.

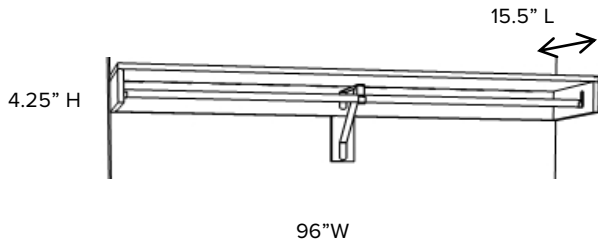
Ex. 24" Shelf Cabinet is 25.5" W

ITEM DIMENSIONS CONTINUED

SHELF & ROD KITS



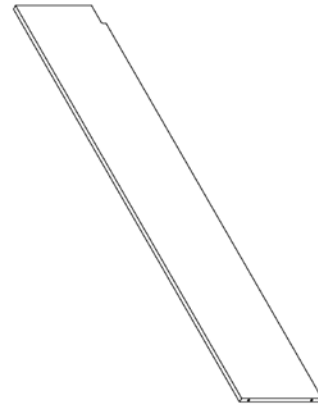
Width can be cut down in field.



Width can be cut down in field.

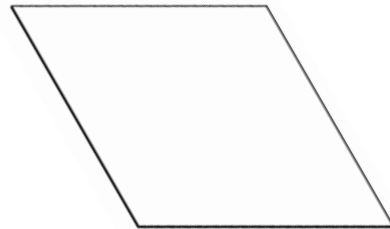
UPRIGHT

79.25" H X 14.5" L x .75" W



WALLBOARD

48" H X .19" L x .48" W



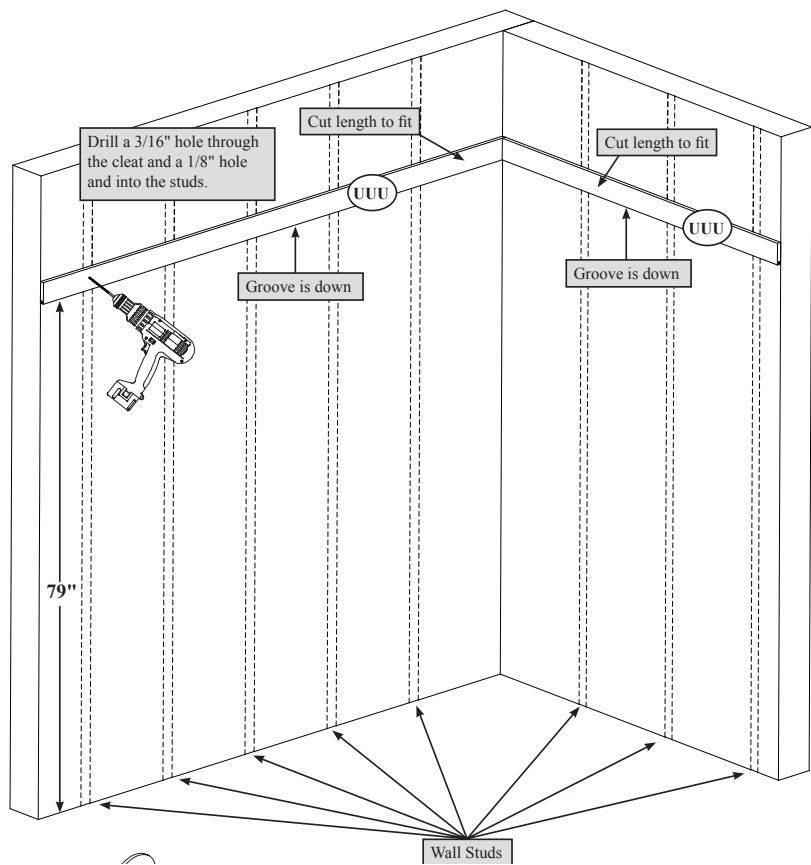
INSTALLATION- WALL CLEAT

- Install Wall Cleats anywhere cabinets or shelving will be installed. Secure to wood wall studs. If metal studs use drywall anchors every 16".

- Install at 79" to bottom of the cleat for Floor Mounted Full cabinets.

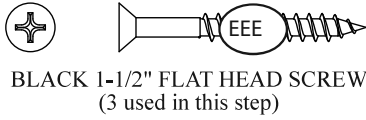
- To clear baseboards on Wall Hung installation install wall cleat at a minimum of 75" above baseboard to bottom of the cleat.

- Hang cabinets and secure through top shelf into upper wall cleat. Secure cabinets fixed lower cleat to the studs as well.

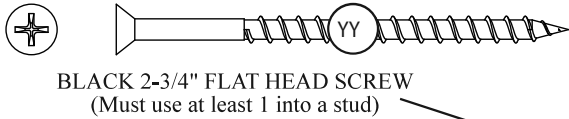


INSTALLATION- CABINETS

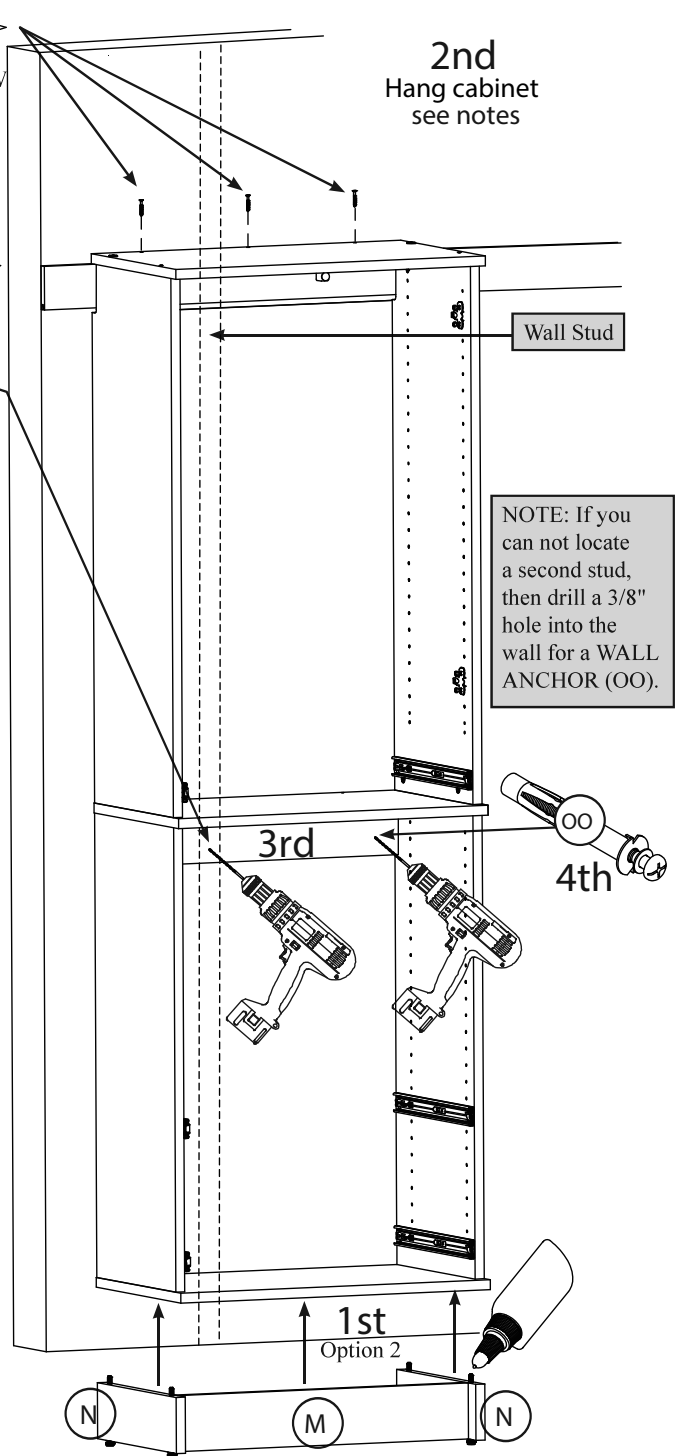
HANG CABINET Follow numbered sequence



2nd
Hang cabinet
see notes



- Assemble Cabinet according to individual cabinet instructions.
- Attach toe kick base to cabinet if specified.
- Hang Cabinet on wall cleat.
- Secure lower built in cleat to stud or anchor with drywall anchor.



DOOR & DRAWER CABINET

30" & 24" Door and
Drawer Cabinet



18" Drawer
Cabinet



Description	Includes	Espresso Item #	White Item #	Salt Oak Item #	Cherry Item #
18" Drawer Cabinet (82.56" H x 19.5" W x 15.5" D)		427812	427813	427814	416618
Includes:	18" Cabinet Chassis	416640	419658	418765	416576
	18" Shelf Kit x 2	416641	419659	418766	416577
	18" Small Drawer	425673	425693	425684	416619
	18" Large Drawer x 2	425674	425694	425685	416620
24" Drawer Cabinet (82.56" H x 25.5" W x 15.5" D)		427815	427816	427817	416625
Includes:	24" Cabinet Chassis	416647	419666	418733	416623
	24" Shelf Kit x 2	416687	419667	418774	416624
	24" Small Drawer	425675	425696	425687	416626
	24" Large Drawer x 2	425676	425697	425688	416627
	24" Door Kit	416651	419671	418779	416628
30" Drawer Cabinet (82.56" H x 31.5" W x 15.5" D)		427818	427819	427820	416633
Includes:	30" Cabinet Chassis	416654	419674	418782	416631
	30" Shelf Kit x 2	416655	419675	418783	416632
	30" Small Drawer	425677	425698	425689	416634
	30" Large Drawer x 2	425678	425700	425691	416635
	30" Door Kit	416659	419681	418789	416636
Optional - Fill lower half with drawers by adding:					
Extra Drawer Short 18"	4.5" H x 18.75" W x 15" D	425679	425692	425683	416886
Extra Drawer Tall 18"	10" H x 18.75" W x 15" D	425674	425694	425685	416620
Extra Drawer Short 24"	4.5" H x 24.75" W x 15" D	425680	425695	425686	416887
Extra Drawer Tall 24"	10" H x 24.75" W x 15" D	425676	425697	425688	416627
Extra Drawer Short 30"	4.5" H x 30.75" W x 15" D	425681	425699	425689	416888
Extra Drawer Tall 30"	10" H x 30.75" W x 15" D	425678	425700	425691	416635

**Please note that soft close drawer slides are standard on the Espresso, White, Salt Oak finishes. Cherry has standard ball bearing slides.

SHELF CABINET



Description	Includes	Espresso Item #	White Item #	Salt Oak Item #	Cherry Item #
18" Shelf Cabinet (82.56" H x 19.5" W x 15.5" D)		416639	419657	418764	416575
Includes:	18" Cabinet Chassis	416640	419658	418765	416576
	18" Shelf Kit x 2	416641	419659	418766	416577
24" Shelf Cabinet (82.56" H x 25.5" W x 15.5" D)		416646	419665	418772	416622
Includes:	24" Cabinet Chassis	416647	419666	418773	416623
	24" Shelf Kit x 2	416687	419667	418774	416624
30" Shelf Cabinet (82.56" H x 31.5" W x 15.5" D)		416653	419673	418781	416630
Includes:	30" Cabinet Chassis	416654	419674	418782	416631
	30" Shelf Kit x 2	416655	419675	418783	416632
Optional - Fill lower half with drawers by adding:					
Extra Drawer Short 18"	4.5" H x 18.75" W x 15" D	425679	425692	425683	416886
Extra Drawer Tall 18"	10" H x 18.75" W x 15" D	425674	425694	425685	416620
Extra Drawer Short 24"	4.5" H x 24.75" W x 15" D	425680	425695	425686	416887
Extra Drawer Tall 24"	10" H x 24.75" W x 15" D	425676	425697	425688	416627
Extra Drawer Short 30"	4.5" H x 30.75" W x 15" D	425681	425699	425690	416888
Extra Drawer Tall 30"	10" H x 30.75" W x 15" D	425678	425700	425691	416635

DOUBLE HANG CABINET



Description	Includes	Espresso Item #	White Item #	Salt Oak Item #	Cherry Item #
18" Double Hang Cabinet (82.56" H x 19.5" W x 15.5" D)		416645	419664	418771	416621
Includes:	18" Cabinet Chassis	416640	419658	418765	416576
	18" Rod Kit	416781	416781	416781	416784
24" Double Hang Cabinet (82.56" H x 25.5" W x 15.5" D)		416652	419672	418780	416629
Includes:	24" Cabinet Chassis	416647	419666	418773	416623
	24" Rod Kit	416782	416782	416782	416785
30" Double Hang Cabinet (82.56" H x 31.5" W x 15.5" D)		416661	419682	418790	416637
Includes:	30" Cabinet Chassis	416654	419674	418782	416631
	30" Rod Kit	416783	416783	416783	416786
Optional - Extra Shelves					
Extra Shelves (Qty 3) 18"	.625" H x 18 W x 14.5" D	416641	419659	418766	416577
Extra Shelves (Qty 3) 24"	.625" H x 24 W x 14.5" D	416687	419667	418774	416624
Extra Shelves (Qty 3) 30"	.625" H x 30 W x 14.5" D	416655	419675	418783	416632
Optional - Fill lower half with drawers by adding:					
Extra Drawer Short 18"	4.5" H x 18.75" W x 15" D	425679	425692	425683	416886
Extra Drawer Tall 18"	10" H x 18.75" W x 15" D	425674	425694	425685	416620
Extra Drawer Short 24"	4.5" H x 24.75" W x 15" D	425680	425695	425686	416887
Extra Drawer Tall 24"	10" H x 24.75" W x 15" D	425676	425697	425688	416627
Extra Drawer Short 30"	4.5" H x 30.75" W x 15" D	425681	425699	425690	416888
Extra Drawer Tall 30"	10" H x 30.75" W x 15" D	425678	425700	425691	416635

SINGLE HANG CABINET



Description	Includes	Espresso Item #	White Item #	Salt Oak Item #	Cherry Item #
18" Single Hang Cabinet (82.56" H x 19.5" W x 15.5" D)		422307	422304	422310	NA
Includes:	18" Cabinet Chassis	422104	421444	422107	NA
	18" Shelf Kit	416641	419659	418766	NA
	18" Rod Kit	416781	416781	416781	NA
24" Single Hang Cabinet (82.56" H x 25.5" W x 15.5" D)		422308	422305	422311	NA
Includes:	24" Cabinet Chassis	422105	421445	422108	NA
	24" Shelf Kit	416687	419667	418774	NA
	24" Rod Kit	416782	416782	416782	
30" Single Hang Cabinet (82.56" H x 31.5" W x 15.5" D)		422309	422306	422312	NA
includes:	30" Cabinet Chassis	422106	421446	422109	NA
	30" Shelf Kit	416655	419675	418783	NA
	30" Rod Kit	416783	416783	416783	
Optional - Extra Shelves					
Extra Shelves (Qty 3) 18"	.625" H x 18 W x 14.5" D	416641	419659	418766	NA
Extra Shelves (Qty 3) 24"	.625" H x 24 W x 14.5" D	416687	419667	418774	NA
Extra Shelves (Qty 3) 30"	.625" H x 30 W x 14.5" D	416655	419675	418773	NA
Optional - Fill lower half with drawers by adding:					
Extra Drawer Short 18"	4.5" H x 18.75" W x 15" D	425679	425692	425683	NA
Extra Drawer Tall 18"	10" H x 18.75" W x 15" D	425674	425694	425685	NA
Extra Drawer Short 24"	4.5" H x 24.75" W x 15" D	425680	425695	425686	NA
Extra Drawer Tall 24"	10" H x 24.75" W x 15" D	425676	425697	425688	NA
Extra Drawer Short 30"	4.5" H x 30.75" W x 15" D	425681	425699	425690	NA
Extra Drawer Tall 30"	10" H x 30.75" W x 15" D	425678	425700	425691	NA

SINGLE HANG CABINET (No Back)



Standard- Wall Hung Installation.
Convert to Floor Standing with Base Kit

Description	Includes	Espresso Item #	White Item #	Salt Oak Item #
18" Single Hang Cabinet (78.5" H x 19.5" W x 15.5" D) No Back		426861	427296	426890
Includes:	18" Full Upright Cabinet Chassis	425622	425625	425634
	18" Shelf Kit	416641	419659	418766
	18" Rod Kit	416781	416781	416781
24" Single Hang Cabinet (78.5" H x 25.5" W x 15.5" D) No Back		426866	426880	426895
Includes:	24" Full Upright Cabinet Chassis	425623	425632	425635
	24" Shelf Kit	416687	419667	418774
	24" Rod Kit	416782	416782	416782
30" Single Hang Cabinet (78.5" H x 31.5" W x 15.5" D) No Back		426871	426885	426900
includes:	30" Full Upright Cabinet Chassis	425624	425633	425636
	30" Shelf Kit	416655	419675	418766
	30" Rod Kit	416783	416783	416783

Optional- Base Kits (if converting to floor standing)	Dimensions	Espresso Item #	White Item #	Salt Oak Item #
18" Base kit (for no back cabinets)	4.25" H x 19.5" W x 15" D	425650	425654	425659
24" Base kit (for no back cabinets)	4.25" H x 25.5" W x 15" D	425651	425656	425660
30" Base kit (for no back cabinets)	4.25" H x 31.5" W x 15" D	425652	425657	425661

DOUBLE HANG CABINET (No Back)



Standard- Wall Hung Installation.
Convert to Floor Standing with Base Kit

Description	Includes	Espresso Item #	White Item #	Salt Oak Item #
18" Double Hang Cabinet (78.5" H x 19.5" W x 15.5" D) No Back		426862	426876	426891
Includes:	18" Full Upright Cabinet Chassis	425622	425625	425634
	18" Rod Kit	416781	416781	416781
24" Double Hang Cabinet (78.5" H x 25.5" W x 15.5" D) No Back		426867	426881	426896
Includes:	24" Full Upright Cabinet Chassis	425623	425632	425635
	24" Rod Kit	416782	416782	416782
30" Double Hang Cabinet (78.5" H x 31.5" W x 15.5" D) No Back		426872	426886	426901
Includes:	30" Full Upright Cabinet Chassis	425624	425633	425636
	30" Rod Kit	416783	416783	416783

Optional- Base Kits (if converting to floor standing)	Dimensions	Espresso Item #	White Item #	Salt Oak Item #
18" Base kit (for no back cabinets)	4.25" H x 19.5" W x 15" D	425650	425654	425659
24" Base kit (for no back cabinets)	4.25" H x 25.5" W x 15" D	425651	425656	425660
30" Base kit (for no back cabinets)	4.25" H x 31.5" W x 15" D	425652	425657	425661

SHELF CABINET (No Back)



Standard- Wall Hung Installation.
Convert to Floor Standing with Base Kit

Description	Includes	Espresso Item #	White Item #	Salt Oak Item #
18" Shelf Cabinet (78.5" H x 19.5" W x 15.5" D) No Back		426863	426877	426892
Includes:	18" Full Upright Cabinet Chassis	425622	425625	425634
	18" Shelf Kit x 2	416641	419659	418766
24" Shelf Cabinet (78.5" H x 25.5" W x 15.5" D) No Back		426868	426882	426897
Includes:	24" Full Upright Cabinet Chassis	425623	425632	425635
	24" Shelf Kit x 2	416687	419667	418774
30" Shelf Cabinet (78.5" H x 31.5" W x 15.5" D) No Back		426873	426887	426902
Includes:	30" Full Upright Cabinet Chassis	425624	425633	425636
	30" Shelf Kit x 2	416655	419675	418783

Optional- Base Kits (if converting to floor standing)	Dimensions	Espresso Item #	White Item #	Salt Oak Item #
18" Base kit (for no back cabinets)	4.25" H x 19.5" W x 15" D	425650	425654	425659
24" Base kit (for no back cabinets)	4.25" H x 25.5" W x 15" D	425651	425656	425660
30" Base kit (for no back cabinets)	4.25" H x 31.5" W x 15" D	425652	425657	425661

CABINET 3 SC Drawers, 6 Adjustable shelves (No Back)



Standard- Wall Hung Installation.
Convert to Floor Standing with Base Kit

Description	Includes	Espresso Item #	White Item #	Salt Oak Item #
18" Cabinet 3 SC Drawers, 6 Adjustable Shelves (78.5" H x 19.5" W x 15.5" D) No Back		427723	427724	427725
Includes:	18" Full Upright Cabinet Chassis	425622	425625	425634
	18" Shelf Kit x 2	416641	419659	418766
	18" Large Drawer x 3	425674	425694	425685
24" Cabinet 3 SC Drawers, 6 Adjustable Shelves (78.5" H x 25.5" W x 15.5" D) No Back		427729	427730	427731
	24" Full Upright Cabinet Chassis	425623	425632	425635
	24" Shelf Kit x 2	416687	419667	418774
	24" Large Drawer x 3	425676	425697	425688
30" Cabinet 3 SC Drawers, 6 Adjustable Shelves (78.5" H x 31.5" W x 15.5" D) No Back		427735	427736	427737
	30" Full Upright Cabinet Chassis	425624	425633	425636
	30" Shelf Kit x 2	416655	419675	418783
	30" Large Drawer x 3	425678	425700	425691

Optional- Base Kits (if converting to floor standing)	Dimensions	Espresso Item #	White Item #	Salt Oak Item #
18" Base kit (for no back cabinets)	4.25" H x 19.5" W x 15" D	425650	425654	425659
24" Base kit (for no back cabinets)	4.25" H x 25.5" W x 15" D	425651	425656	425660
30" Base kit (for no back cabinets)	4.25" H x 31.5" W x 15" D	425652	425657	425661

DOUBLE HANG HALF CABINET & SHELF AND HALF HANG CABINET



Description	Includes	Espresso Item #	White Item #	Salt Oak Item #	Cherry Item #
18" Double Hang Half Cabinet	46.5" x 19.5" W x 15.5" D	418813	419709	418817	418811
24" Double Hang Half Cabinet	46.5" x 25.5" W x 15.5" D	418814	419706	418818	418812
30" Double Hang Half Cabinet	46.5" x 31.5" W x 15.5" D	418840	419718	418842	418839
36" Double Hang Half Cabinet	46.5" x 37.5" W x 15.5" D	417774	419697	418857	417773
18" Shelf and Half Hang Cabinet (46.5" H x 19.5" W x 15.5" D)		418825	419711	418829	418823
Includes:	18" Half Cabinet	418813	419709	418817	418811
	18" Shelf Pack	416641	419659	418766	416577
24" Shelf and Half Hang Cabinet (46.5" H x 25.5" W x 15.5" D)		418826	419707	418830	418824
Includes:	24" Cabinet Chassis	418814	419706	418818	418812
	24" Shelf Pack	416687	419667	418774	416624
30" Shelf and Half Hang Cabinet (46.5" H x 31.5" W x 15.5" D)		418046	419705	418844	418045
Includes:	30" Cabinet Chassis	418840	419718	418842	418839
	30" Shelf Pack	416655	419675	418783	416632
Optional - Extra Shelves					
Extra Shelves (Qty 3) 18"	.625" H x 18 W x 14.5" D	416641	419659	418766	416577
Extra Shelves (Qty 3) 24"	.625" H x 24 W x 14.5" D	416687	419667	418774	416624
Extra Shelves (Qty 3) 30"	.625" H x 30 W x 14.5" D	416655	419675	418783	416632

SINGLE HANG QUARTER CABINET



Description	Dimensions	Espresso Item #	White Item #	Salt Oak Item #	Cherry Item #
18" Single Hang Quarter Cabinet	18.5" x 19.5" W x 15.5" D	419843	419716	419850	419846
24" Single Hang Quarter Cabinet	18.5" x 25.5" W x 15.5" D	419111	419715	419113	419112
30" Single Hang Quarter Cabinet	18.5" x 31.5" W x 15.5" D	419844	419714	419851	419847
36" Single Hang Quarter Cabinet	18.5" x 37.5" W x 15.5" D	419845	419713	419852	419848

SHELF & ROD KIT (47.5" & 96")



47.25" Single Hang Shelf & Rod

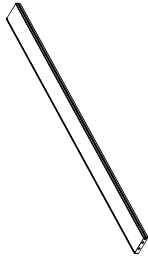


96" Single Hang Shelf & Rod

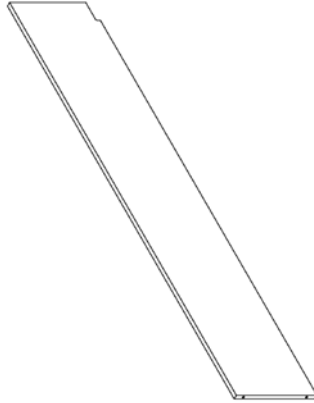
Includes Shelf, Side Cleats, Back Cleats, Bracket (for 96") and associated hardware.

Description	Dimensions	Espresso Item #	White Item #	Salt Oak Item #	Cherry Item #
47.25 Single Hang Shelf and Rod	.75" H x 47.25" W x 15.5" D	416662	419683	418791	416638
96" Single Hang Shelf and Rod	.75" H x 96" W x 15.5" D	420290	420287	420289	NA

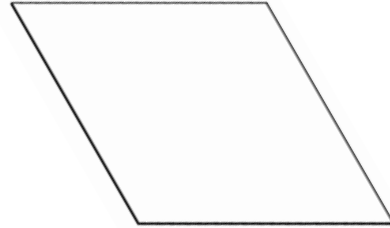
WALL CLEAT, UPRIGHT, WALL BOARD



24' Wall Cleat Pack



Upright



Wall Board 48" x 48"

48" pieces 6 per pack (cam together for longer walls)
(Must be ordered in addition to the closet packs)

Description	Dimensions	Espresso Item #	White Item #	Salt Oak Item #	Cherry Item #
24' Wall Cleat Pack, 6 x 48" pcs. (must be ordered with each closet)	3.5" H x 48" W x .75" D	419896	419899	419898	419897
Upright	81.75 H x .75" W x 14.5" D	414391	419688	418804	414094
Wall Board (48" x 48") x 2	48" x 48"	414399	419689	418805	414096

ACCESSORIES- HAMPERS



Description	Dimensions	Espresso Item #	White Item #	Salt Oak Item #
24" W Hamper with Door	30" H x 25.5" W x 15" D	429230	429244	429243
30" W Hamper with Door	30" H x 31.5" W x 15" D	429245	429247	429246

In Split Upright cabinets with Full Backs add a 4.5" H Drawer above the hamper to fill the lower half of a cabinet.

Option to put an adjustable shelf above the hamper in any other cabinet style.

ACCESSORIES



Description	Dimensions	Satin Nickel
Belt Rack 12"	12"D	429218
Side Mount Tie Rack 12"	12"D	430301 (chrome)
Valet Rod 12"	12"D	429220
24" Closet Basket	24"W x 14" D x 11" H	429222
30" Closet Basket	30"W x 14" D x 11" H	429223
24" Jewelry Tray	21.625"W x 11.625" D x 2" H	429517
30" Jewelry Tray	27.625"W x 11.625" D x 2" H	429519

PRODUCT PERFORMANCE

LOAD SPECIFICATIONS

Product	Anchoring Method	Recommended Load Limits
Closet Cabinets	Wooden studs	200 lbs per cabinet
Closet Shelving	Wooden studs	20 lbs per foot (4 to 1 safety factor)
Closet Shelving	Drywall anchors (every 16")	20 lbs per foot (4 to 1 safety factor)

SURFACE PERFORMANCE

WoodTrac Closets are made with silicone coated high definition micropapers laminated over either MDF or Particleboard depending on the part. Performance results below.



STANDARD PLUS/ WRAPPING PLUS GRADE PAPER-ENGINEERING SPECIFICATION SSN – 1220 R.1

Implementation Date: 5/3/2013 JRB

AESTHETICS		
Attribute	Test Method	Specification/Assessment
Color (Evaluated using the D65 Lighting)	Visual Compliance to the Color Standard – ASTM D-1729-96	Pass / Fail
Coating Smoothness	Visual Compliance to the Color Standard	Pass / Fail
Gloss	Gardner Micro Gloss - @ 60° (MD) – ASTM D-523-99	±15% of standard
Fidelity/Registration	Visual Compliance to the Color Standard	Pass / Fail
PERFORMANCE		
Attribute	Test Method	Specification/Assessment
Wear Resistance	For paper, correlated to coating weight	=> 3 grams/m ²
	For laminates, CPA WR-01-2009	>250 cycles
Scratch Resistance	For paper, correlated to coating weight	=> 3 grams/m ²
	For laminates, Hoffman-Paint & Coating Testing Methods p.557 ASTM - D 5178 (Breaking Point)	=> 100 grams
MEK Resistance	ASTM - D 4752	=> 50 Dble Rubs
Boiling Water Resistance	Fed. Spec. AA-11-0018958	No Effect after 1 hour
Color Stability at Elevated Temperature	For paper, Sauder LP074; Color Stability Standard Method	Delta <.5 or Visual Compliance to Color Standard
Water Resistance	ANSI / NEMA LD 3-2005 - High Pressure Decorative Laminates Section 3.4 Distilled Water	No Effect after 4 hours
Stain Resistance	ANSI / NEMA LD 3-2005 - High Pressure Decorative Laminates Section 3.4; cooking oil, coffee, tea, mustard, catsup	No Effect after 4 hours
Tape Resistance	ASTM – D 3330 or correlated method	100% Tape Adhesion Failure (Based on 10day tape pull)
Coating / Ink Adhesion	ASTM – D 3359	0% Failure
Coefficient of Friction	ASTM – D 1894	.125 Kinetic (min)

Please Reference SSN 2905 for this packaging specification

PRODUCT COMPOSITION & CARE

PRODUCT COMPOSITION

Our closets are a combination of 3/4" furniture-grade particleboard and MDF (Medium Density Fiberboard) with a high-definition micro paper laminate. The high heat and pressure used in manufacturing result in a very strong, environmentally-friendly product.

Our product is made of over 80% recycled products. All wood panels used at our production facility are "Environmentally Preferred Product" (EPP) by the Composite Panel Association.

PRODUCT CARE

While laminate products are durable, like any wood product they are not water resistant. We recommend quickly wiping any spilled liquid to prevent damage.

To clean we recommend light dusting or wiping the surface with a wax-based polish (Pledge or Endust, for example) and a dry cloth. Spray should be applied to cloth and not directly to furniture. Never use any type of abrasive cleaner or soap detergent on laminate surfaces.

LIMITED LIFETIME WARRANTY

WOODTRAC® CLOSET PRODUCTS LIMITED WARRANTY

WoodTrac® by Sauder provides limited lifetime warranty coverage on WoodTrac® Closet Products (the "Products") to the original first use retail consumer ("Consumer") as set forth in this limited warranty statement. This limited warranty gives you specific legal rights, and you may also have other rights which vary from state to state.

Limited Lifetime Warranty Coverage: WoodTrac® warrants that the Products will be free from defects in material and workmanship under conditions of normal, residential use, for the lifetime of the Products. This limited warranty extends only to the original, first-use retail Consumer, and is not transferable.

Limitations on Warranty Coverage: WoodTrac's® Limited Lifetime Warranty (described above) is the only warranty coverage provided by WoodTrac® for the Products, and is in lieu of all other warranties. Under the laws of certain states, there may be no implied warranties from WoodTrac®, and ALL IMPLIED WARRANTIES, INCLUDING ANY IMPLIED WARRANTY OF MERCHANTABILITY OR FITNESS FOR A PARTICULAR PURPOSE ARE DISCLAIMED AND EXCLUDED TO THE FULLEST EXTENT ALLOWED BY LAW.

Exclusions from Coverage: This limited warranty does not cover defects arising from (1) the improper installation or use of the Products; (2) abuse or neglect; (3) any commercial, rental or non-residential use of the Products (including the installation and use of the Products in a commercial or rental structure); or (4) normal wear and tear.

Exclusive Remedy: WoodTrac® will (at its option) repair or replace any defective Products (or components) at no charge, subject to confirmation of the defect and proof of purchase, as the sole and exclusive remedy under this limited warranty. This limited warranty does not cover costs for installation, returning any defective Products to WoodTrac®, for removal or other labor costs in connection with the repair or replacement of the Products, all of which shall be the responsibility of the Consumer. WoodTrac's® liability under this limited warranty shall not exceed the purchase price of the Products. WoodTrac® shall have NO LIABILITY FOR ANY INCIDENTAL OR CONSEQUENTIAL DAMAGES OF ANY KIND, and all such claims and damages are DISCLAIMED AND EXCLUDED FROM THIS LIMITED WARRANTY. You must notify WoodTrac®, in writing, within 90 days after discovering any defect in order to receive limited warranty coverage.

Some states do not allow limitations on how long an implied warranty lasts, or the exclusion or limitation of incidental or consequential damages, so the above limitations may not apply to you.

To Obtain Warranty Service or Information: For warranty inquiries or claims, contact WoodTrac® at 1-855-854-7465, 502 Middle Street, Archbold, OH (USA) 43502, woodtrac@sauder.com. Return of any defective Product may be required by WoodTrac®, or we may elect to examine the product at its location. If we ask you to ship any Products to us, we will issue you a return authorization number and provide return instructions. For returned Products to qualify for limited warranty coverage, they must be returned in the original or equivalent packaging, in accordance with the shipping instructions you receive from us, and must prominently display the return authorization number on the return package.



